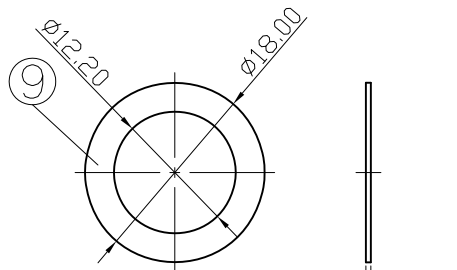
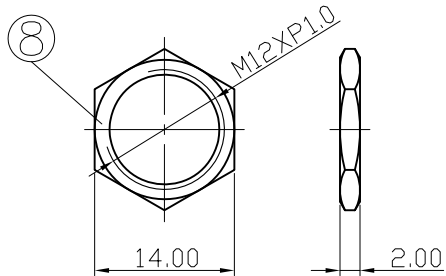


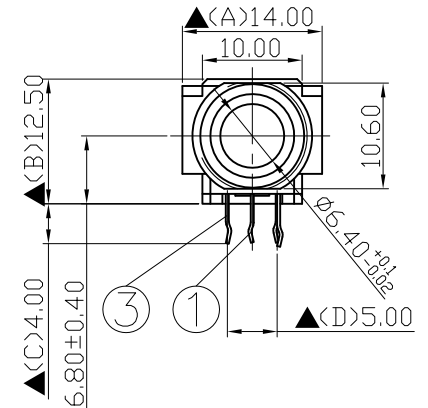
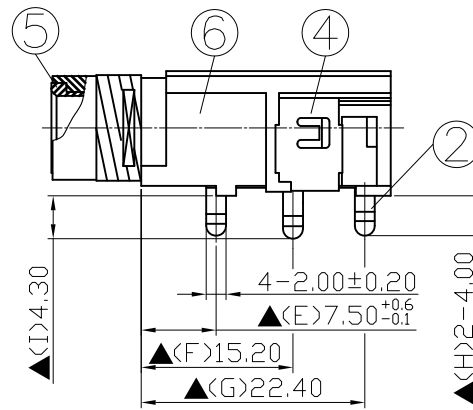
SCHEMATIC	
	MODEL NO D



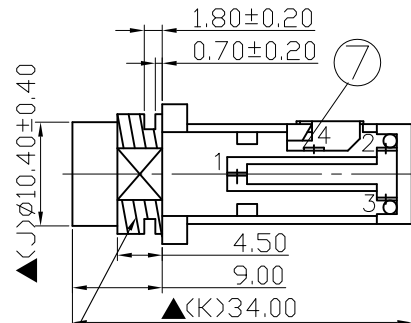
WASHER



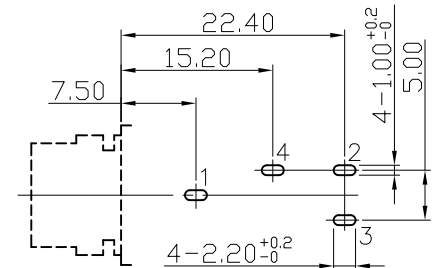
NUT



9.	Washer	0.5T Steel	1	Nickel Plated
8.	Nut	2.0T Steel	1	Nickel Plated
7.	Cover	PBT+15%	1	Black Color
6.	Housing	PBT+15%	1	Black Color
5.	Bushing	Low Lead Brass Rod	1	Nickel Plated
4.	Tip Shunt	0.3T Brass	1	Silver Plated
3.	Ring Spring	0.3T Phosphor Bronze	1	Silver Plated
2.	Tip Spring	0.4T Phosphor Bronze	1	Silver Plated
1.	Earth Terminal	0.3T Phosphor Bronze	1	Silver Plated
NO	Descripcion	Material	Q'TY	Finish



M12XP1.0
METRIC THREAD



Pin Hole Layout
(Jack Bottom View)

 旭 S.C.	PRECISION INDUSTRIAL CO., LTD.	DATE	DWN	CHKD	APVD	MANAGER
		07.08.2021	王平華			

For Redference
僅供參考

RoHS&SVHC
Compliant

PART NAME : 6.3φ PHONE JACK	PART NUMBER: SCJ630R0NDS1BK0L	VERSION: 2.0
-----------------------------	-------------------------------	--------------

TOLERANCE : ±0.3mm UNLESS OTHERWISE SPECIFIED	UNIT: mm	SCALE: 1/1
---	----------	------------

SPECIFICATIONS:
 Contact Resistance : 30mΩ max
 Insulation Resistance : 100MΩ min. at DC 500V
 Dielectric Withstanding Voltage: AC 500V for one minute
 Remark: ▲ : The Most Important Dimension