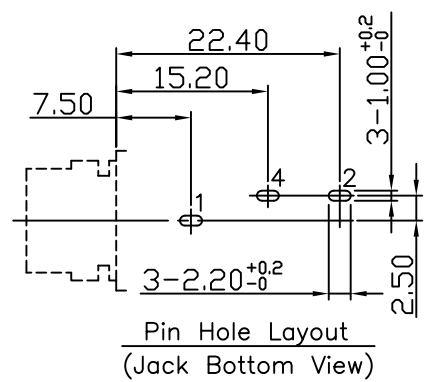
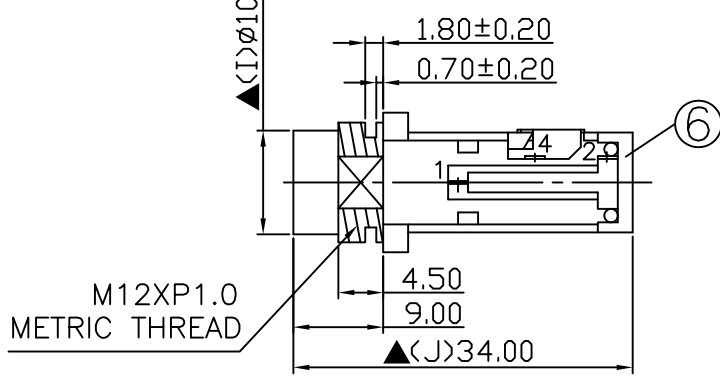
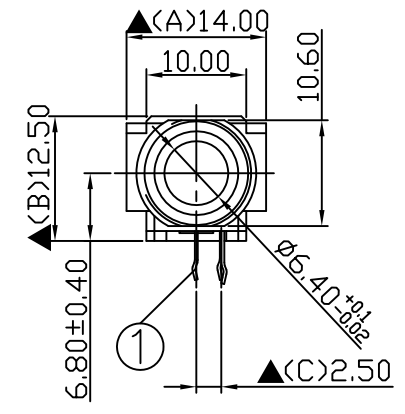
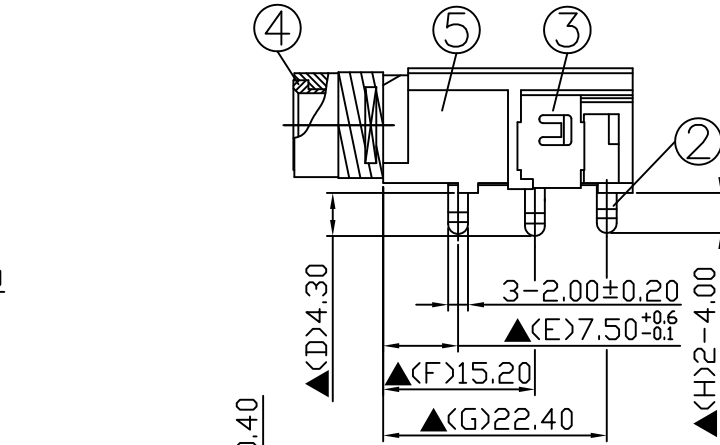
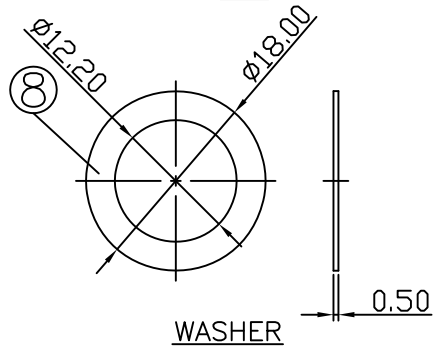
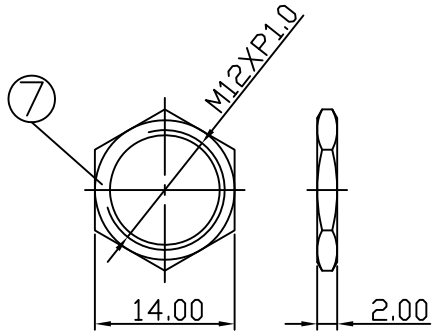


SCHEMATIC	
MODE NO	C



8.	Washer	0.5T Steel	1	Nickel Plated
7.	Nut	2.0T Steel	1	Nickel Plated
6.	Cover	PBT+15%	1	Black Color
5.	Housing	PBT+15%	1	Black Color
4.	Bushing	Low Lead Brass Rod	1	Nickel Plated
3.	Tip Shunt	0.3T Brass	1	Silver Plated
2.	Tip Spring	0.4T Phosphor Bronze	1	Silver Plated
1.	Earth Terminal	0.3T Phosphor Bronze	1	Silver Plated
NO	Descricion	Material	Q'TY	Finish

DATE	DWN	CHKD	APVD	MANAGER
07.08.2021	王平華			



S.C. PRECISION INDUSTRIAL CO., LTD.

For Redference
僅供參考

RoHS&SVHC
Compliant

PART NAME : 6.3φ PHONE JACK PART NUMBER: SCJ630R0NCS1BK0L VERSION: 2.0

TOLERANCE : ±0.3mm UNLESS OTHERWISE SPECIFIED UNIT: mm SCALE: 1/1

SPECIFICATIONS:
Contact Resistance : 30mΩ max
Insulation Resistance : 100MΩ min. at DC 500V
Dielectric Withstanding Voltage: AC 500V for one minute
Remark: ▲ : The Most Important Dimension