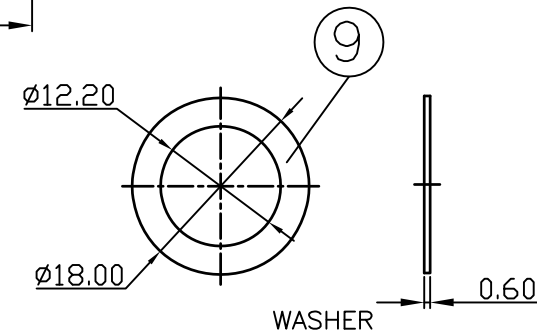
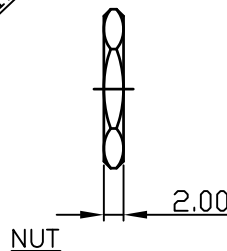
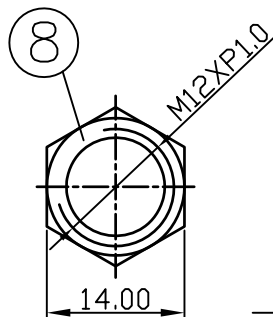


M12XP1.0
METRIC THREAD



NO.	Description	Material	Q'TY	Finish
9	Washer	0.5T Steel	1	Nickel Plated
8	Nut	2.0T Steel	1	Nickel Plated
7	Insulator	Red Vulcanited Fibre	1	Red Color
6	Bushing	Low Lead Brass Rod	1	Nickel Plated
5	Barre(W/Thread)	POM	1	Black Color
4	Cover	0.5T Steel	1	Nickel Plated
3	Housing	POM	1	Black Color
2	Ring Spring	0.35T Phosphor Bronze	1	Silver Plated
1	Tip Spring	0.35T Phosphor Bronze	1	Silver Plated



S.C. PRECISION INDUSTRIAL CO., LTD.

DATE	DWN	CHKD	APVD	MANAGER
07.27.2021	王平華			

For Redference
僅供參考

RoHS&SVHC
Compliant

PART NAME : 6.3φ PHONE JACK

PART NUMBER: SCJ618R3NAS1B11L

VERSION: 1.0

SPECIFICATIONS:
 Contact Resistance : 30mΩ max
 Insulation Resistance : 100MΩ min. at DC 500V
 Dielectric Withstanding Voltage: AC 500V for one minute
 Remark: ▲: The Most Important Dimension

TOLERANCE : ±0.3mm UNLESS OTHERWISE SPECIFIED

UNIT: mm

SCALE: 1/1