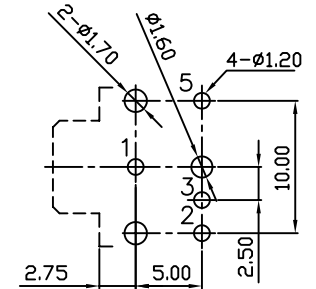
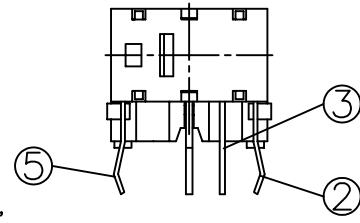
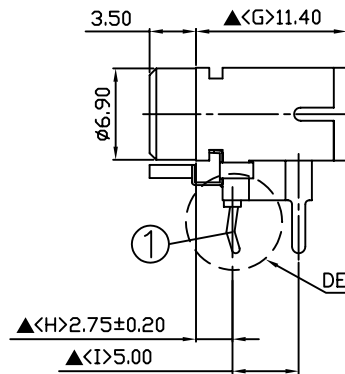
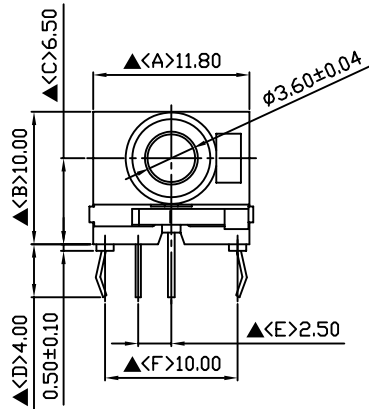
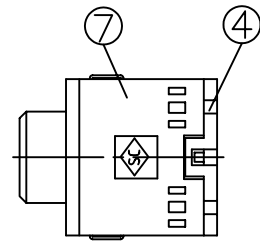
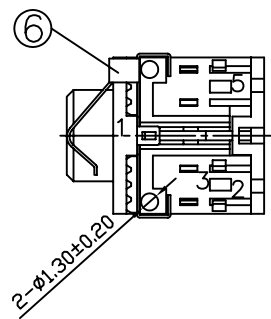


SCHEMATIC	
MODEL NO	W



Pin Hole Layout  
(Jack Bottom View)



7.	Housing	PBT	1	Black Color
6.	Panel Ground	0.2T Stainless Steel	1	
5.	Tip Spring	0.25T Phosphor Bronze	1	Silver Plated
4.	Cover	PBT	1	Black Color
3.	Break Terminal	0.4T Brass	1	Silver Plated
2.	Ring Spring	0.3T Phosphor Bronze	1	Silver Plated
1.	Earth Terminal	0.5T Brass	1	Silver Plated
NO.	Description	Material	Q'TY	Finish

<b>S.C.PRECISION INDUSTRIAL CO., LTD.</b>	DATE	DWN	CHKD	APVD	MANAGER
	12.22.2011				

PART NAME : 3.5φ PHONE JACK	PART NUMBER: SCJ360P00WS2B01G	VERSION: 4.0
TOLERANCE : ±0.3mm UNLESS OTHERWISE SPECIFIED	UNIT: mm	SCALE: 1/1

RoHS Compliant For Reference 僅供參考

SPECIFICATIONS:  
 Contact Resistance : 30mΩ max  
 Insulation Resistance : 100MΩ min. at DC 500V  
 Dielectric Withstanding Voltage: AC 500V for one minute  
 Remark: ▲: The Most Important Dimension