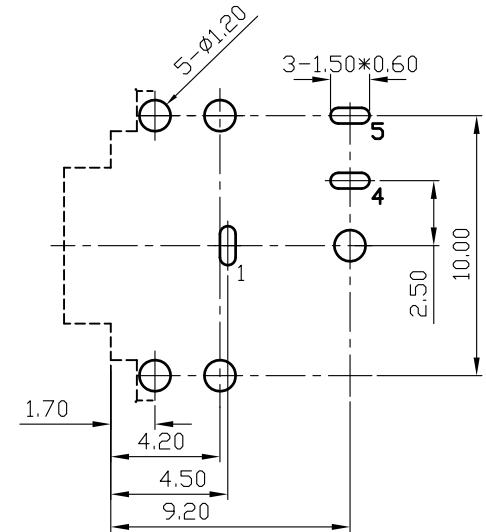
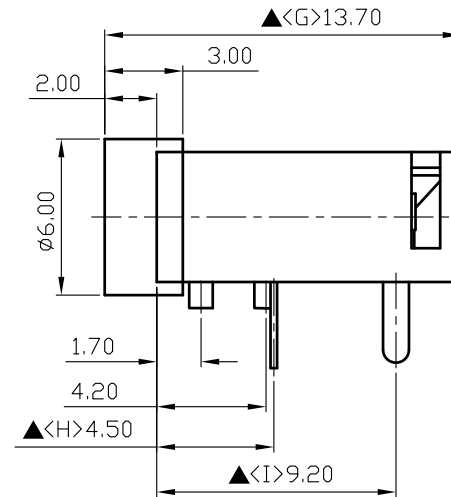
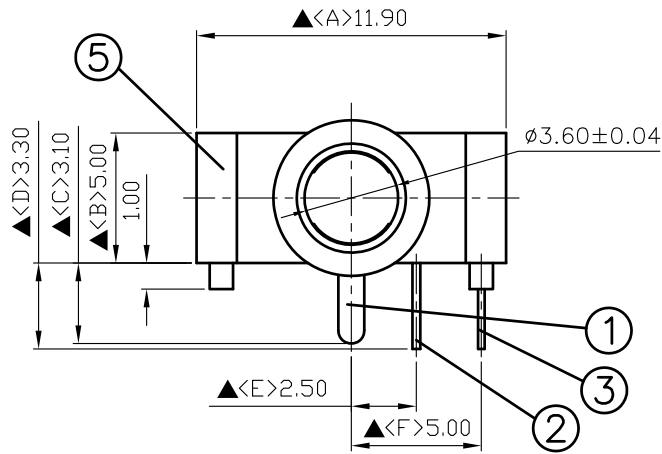
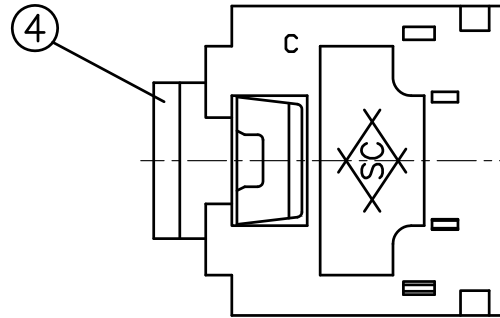


SCHMATIC	
MODEL NO	Y



Pin Hole Layout
(Jack Bottom View)

5.	Housing	PBT+15%	1	Black Color
4.	Barrel	Low Lead Brass Rod	1	Nickel Plated
3.	Tip Spring	0.25T YcuT	1	Silver Plated
2.	Break Terminal	0.3T Brass	1	Silver Plated
1.	Earth Terminal	0.2T Phosphor Bronze	1	Silver Plated
NO.	Description	Material	Q'TY	Finish

S.C. PRECISION INDUSTRIAL CO., LTD. 旭 全	DATE	DWN	CHKD	APVD	MANAGER
	11.22.2021	王平華			

For Redference
僅供參考

RoHS&SVHC
Compliant

PART NAME: 3.5φ PHONE JACK PART NUMBER: SCJ355R1NYS0B00L VERSION:3.0

TOLERANCE :±0.3mm UNLESS OTHERWISE SPECIFIED UNIT:mm SCALE:1/1

SPECIFICATIONS:
 Contact Resistance : 30mΩ max
 Insulation Resistance : 100MΩ min. at DC 500V
 Dielectric Withstanding Voltage: AC 500V for one minute
 Remark: ▲: The Most Important Dimension