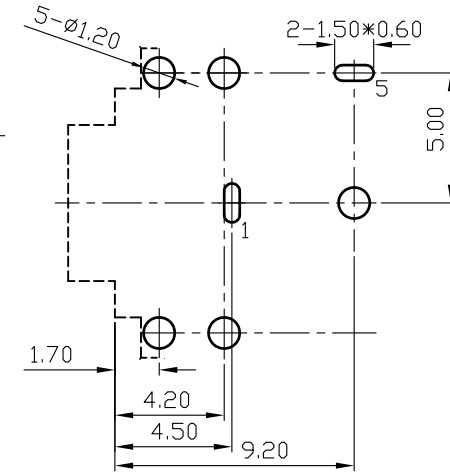
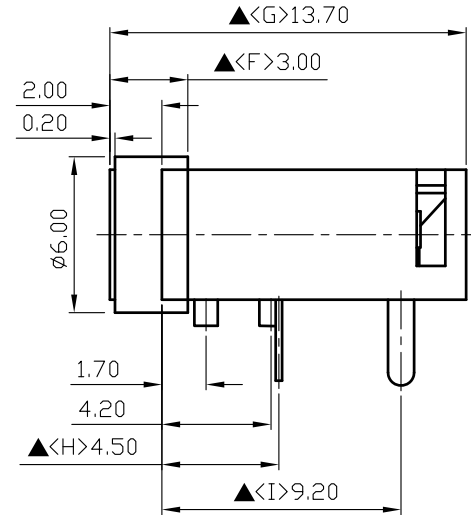
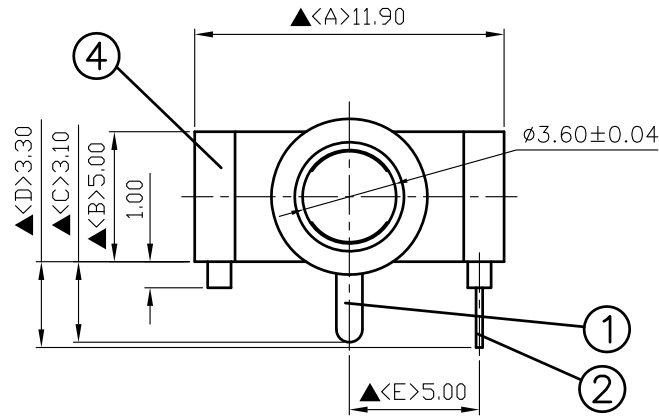
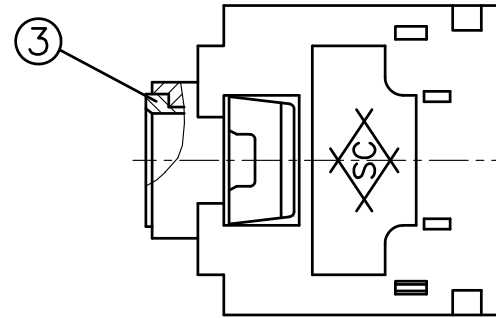


SCHEMATIC	
MODEL NO	Z



Pin Hole Layout
(Jack Bottom View)

4.	Housing	PBT+15%	1	Black Color
3.	Barrel	Low Lead Brass Rod	1	Nickel Plated
2.	Tip Spring	0.25T YcuT	1	Silver Plated
1.	Earth Terminal	0.2T Phosphor Bronze	1	Silver Plated
NO.	Description	Material	Q'TY	Finish

S.C. PRECISION INDUSTRIAL CO., LTD. 旭 全	DATE	DWN	CHKD	APVD	MANAGER
	11.22.2021	王平華			

PART NAME: 3.5φ PHONE JACK	PART NUMBER: SCJ355RONZS0B00L	VERSION: 1.0
----------------------------	-------------------------------	--------------

TOLERANCE : ±0.3mm UNLESS OTHERWISE SPECIFIED	UNIT: mm	SCALE: 1/1
---	----------	------------

SPECIFICATIONS:
 Contact Resistance : 30mΩ max
 Insulation Resistance : 100MΩ min. at DC 500V
 Dielectric Withstanding Voltage: AC 500V for one minute
 Remark: ▲: The Most Important Dimension

For Redference
 僅供參考

RoHS&SVHC
 Compliant